

# AKTIVLINE<sup>®</sup> ECO

HMV no.: in the application process

Order       Cost estimate

Name of the orderer \_\_\_\_\_ Company \_\_\_\_\_

Commission/Patient name \_\_\_\_\_ Your order no. \_\_\_\_\_

Date \_\_\_\_\_ Signature/Company stamp \_\_\_\_\_



## AKTIVLINE Dynamic seat-backrest-system basic configuration:

made of aluminium as a standard version with integrated physiological pivots in hip and knee area inclusive:

- ▶ pelvic retraction unit and system fixation at 90° hip angle
- ▶ anatomical molded seat with abduction pommel with lateral hip support, as well as Velcro side pads (2-layer in 1 cm + 2 cm) for seat width adjustment
- ▶ anatomical molded backrest with (height and width) adjustable side supports for upper body, with lumbar pad (under cover), with extra backpöster for seat depth adjustment (2 cm)
- ▶ fabric cover: DOTS BLACK;  
frame color: PEARLDARKGREY RAL 9023
- ▶ including 5 cm seat depth regulation with continuously adjustable seat plate (3 cm) and option of adjusting the backrest unit (2 cm) and adjustment of the pivot points
- ▶ ready for fitting armrests
- ▶ ready for fitting head support and fixation aids
- ▶ incl. anti-tip and support roller
- ▶ seating system mount on slide rail with retraction unit and slide rail in the back
- ▶ incl. 4 crash-tested transport rear for vehicle transport

## Technische Daten

	Size 1 SB 40	Size 2 SB 40	Size 3 SB 40	Size 4 SB 45
Frame width undercarriage	40 cm	40 cm	40 cm	45 cm
Total weight incl. headrest and armrests	approx. 38 kg	approx. 40 kg	approx. 42 kg	approx. 44 kg
Seat width	20 - 25 cm	25 - 30 cm	30 - 35 cm	35 - 40 cm
Seat depth	25 - 30 cm	30 - 35 cm	35 - 40 cm	40 - 45 cm
Back height	40 cm	45 cm	50 cm	55 cm
Total width incl. armrests	68 cm	68 cm	68 cm	73 cm
Totals height incl. headrest	113 cm	118 cm	123 cm	128 cm
Heigth from ground to seat unit	60 cm	60 cm	60 cm	60 cm
Total lenght incl. stabilizor rollers	75 cm	80 cm	85 cm	90 cm
Max. load	80 kg	80 kg	80 kg	80 kg

Incl. continuous footrest system	Art. no.	39997-1D	39997-2D	39997-3D	39997-4D
<b>Suggested retail price*</b>		<b>9.907,60 €</b>	<b>9.907,60 €</b>	<b>9.907,60 €</b>	<b>10.118,40 €</b>
Unit		<input type="text"/>	<input type="text"/>	<input type="text"/>	<input type="text"/>

Incl. separated footrest system	Art. no.	39997-1G	39997-2G	39997-3G	39997-4G
<b>Suggested retail price*</b>		<b>10.223,80 €</b>	<b>10.223,80 €</b>	<b>10.223,80 €</b>	<b>10.434,60 €</b>
Unit		<input type="text"/>	<input type="text"/>	<input type="text"/>	<input type="text"/>

By fax to: +49 (0) 2243/8807-29

By email to: info@interco.gmbh

## Basic configuration

- Footrest system  continuous footrest system  
 separated footrest system

- mounted on  **ECO undercarriage**

- 12"  16"  22"  24" tires

including drum brakes and full floating axle at the back, 200 x 50 front wheels, parking brakes with three ratchet positions, height and angle adjustable pushing grips, swivelling stabilizer rollers and adapter receptacle for connecting seat and back on sliding rails

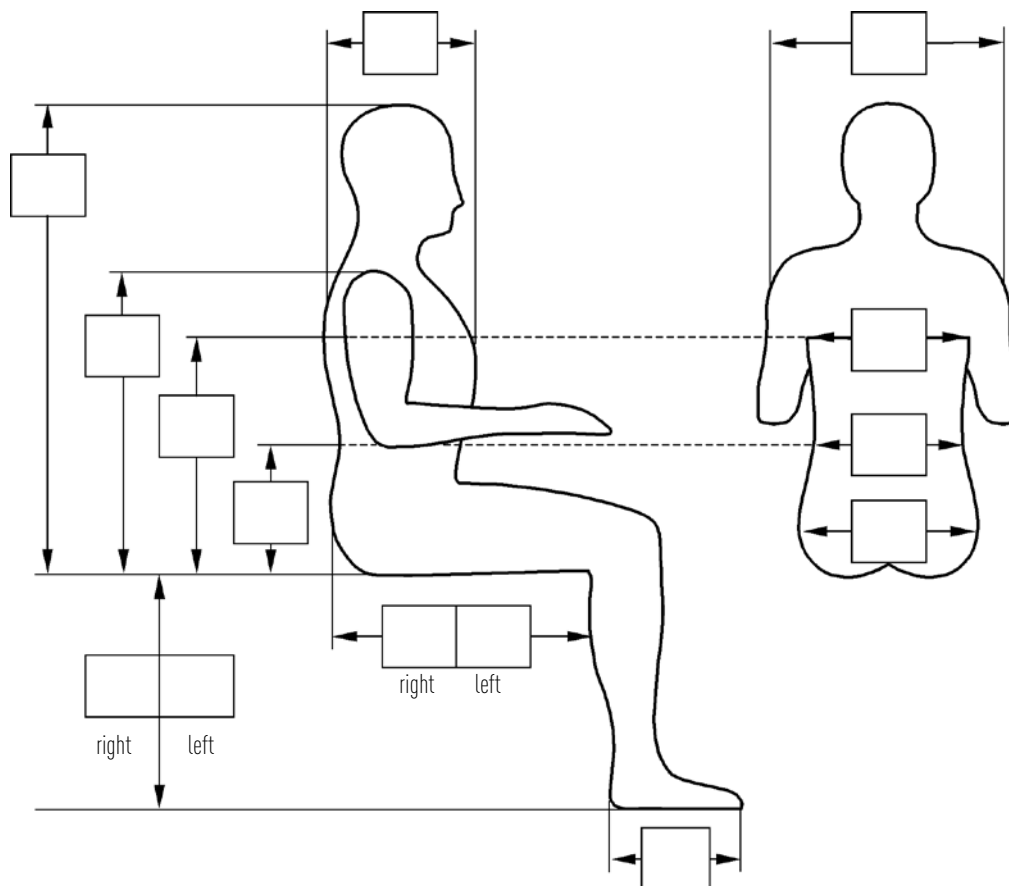
### Rear wheels

- pneumatic tires  solid tires

### Front wheels

- pneumatic tires  solid tires

You want correct pre-adjustment according to the clients measurements, please note below all details.



Patient's measurements taken on: \_\_\_\_\_ by: \_\_\_\_\_

**By fax to: +49 (0) 2243/8807-29**

**By email to: info@interco.gmbh**

Art. no.	Article name   Article description   Options	UNIT	Price *	Quantity
----------	--	------	---------	----------

## Upholstery



47011	Water-repellent coating for complete seat shell	ST	287.74 €	<input type="text"/>
47012	Water-repellent coating for seat unit	ST	144.40 €	<input type="text"/>

## Covers



39043-WF	Extra charge for fabric in individual colour/version	ST	310.93 €	<input type="text"/>
39043-Wst	Complete replacement fabric for AKTIVLINE ECO (seat, back, lateral side support, abduction pommel) in DOTS black	SA	574.43 €	<input type="text"/>
39043-inko	Complete replacement fabric for AKTIVLINE ECO in inko-material DARTEX black	SA	574.43 €	<input type="text"/>

## Kopf



43046	ALULINE head rest bracket, fixed model with a fastening element	ST	254.01 €	<input type="text"/>	<input type="checkbox"/> with one fastening element
43048	includes 1 x ALULINE universal bracket and support block				<input type="checkbox"/> with two fastening elements
43049	ALULINE head rest bracket, laterally adjustable model with one fastening element and support block, includes 1 x ALULINE universal bracket	ST	349.93 €	<input type="text"/>	
43050	ALULINE head rest bracket with depth adjustment option	ST	310.93 €	<input type="text"/>	
43010	Standard head rest cushion with black synthetic leather cover	ST	133.86 €	<input type="text"/>	<input type="checkbox"/> size 0
43011	Standard head rest cushion, shell-shaped with black synthetic leather cover				<input type="checkbox"/> size 1
					<input type="checkbox"/> size 2
43015	Fabric head rest cover for standard or shell-shaped head rest in addition to synthetic leather cover, easily removable using zipper in DOTS black	ST	69.56 €	<input type="text"/>	
39063-eco	Back extension, attachable incl. cover in DOTS black in 8 cm height	ST	358.36 €	<input type="text"/>	



## Upper body

44220	Swing-away unit for lateral side support, ALULINE version	ST	208.69 €	<input type="text"/>	<input type="checkbox"/> right
44215	Lateral side support plug-in version in ALULINE version				<input type="checkbox"/> left
		ST	285.00 €	<input type="text"/>	<input type="checkbox"/> right
<input type="checkbox"/> left					

By fax to: +49 (0) 2243/8807-29

By email to: info@interco.gmbh

Art. no.	Article name   Article description	Options	UNIT	Price *	Quantity
47131	<b>VARIO chest harness</b> with twist-lock at the pelvis and push-in buckles on the upper shoulder straps (includes clip buckle with fastening tab for mounting on seat shells)	<input type="checkbox"/> for boys <input type="checkbox"/> for girls <hr/> <input type="checkbox"/> size 1 <input type="checkbox"/> size 2 <input type="checkbox"/> size 3 <input type="checkbox"/> size 4	<input type="checkbox"/> Spacer fabrics <input type="checkbox"/> Synthetic leather <input type="checkbox"/> Neopren	ST 208.69 € 185.50 € 265.61 €	<input type="text"/>
47132	<b>REMOVABLE chest harness</b> with removable upper straps with push-in clasp and push-in clasps at the pelvis	<input type="checkbox"/> for boys <input type="checkbox"/> for girls <hr/> <input type="checkbox"/> size 1 <input type="checkbox"/> size 2 <input type="checkbox"/> size 3 <input type="checkbox"/> size 4	<input type="checkbox"/> Spacer fabrics <input type="checkbox"/> Synthetic leather <input type="checkbox"/> Neopren	ST 202.37 € 179.18 € 265.61 €	<input type="text"/>
47133	<b>STANDARD chest harness</b> with push-in buckle, 25 mm, lock-stitched straps on the shoulders (includes clip buckle with fastening tab for mounting on seat shells)	<input type="checkbox"/> for boys <input type="checkbox"/> for girls <hr/> <input type="checkbox"/> size 1 <input type="checkbox"/> size 2 <input type="checkbox"/> size 3 <input type="checkbox"/> size 4	<input type="checkbox"/> Spacer fabrics <input type="checkbox"/> Synthetic leather <input type="checkbox"/> Neopren	ST 198.15 € 152.83 € 252.96 €	<input type="text"/>
47200	<b>Strap guide plates (includes clip buckle compatible with straps)</b> for mounting on the edges of the seat shell, used to guide upper shoulder strap and enable continuous height adjustment			SA 62.19 €	<input type="text"/>



## Upper extremities

42025	<b>ALULINE arm rests, incrementally height- and angle-adjustable</b> includes PUR arm cushions 235 mm (only in combination with adduction guides)		PA	293.01 €	<input type="text"/>
42030-St	<b>ALULINE arm rests, incrementally height- and angle adjustable incl. arm cushion, flat</b> incl. cover in synthetic leather black, length = 30 cm, width = 10 cm		PA	280.50 €	<input type="text"/>
42811		<input type="checkbox"/> size 1		304.61 €	
42812	<b>Therapy tray table made of acrylic, attachable</b>	<input type="checkbox"/> size 2	ST	316.20 €	<input type="text"/>
42813	square-shaped with upturned front and side bars and two-segment cut-out	<input type="checkbox"/> size 3		326.74 €	
42814		<input type="checkbox"/> size 4		333.06 €	
42511		<input type="checkbox"/> size 1		247.69 €	
42512	<b>Therapy tray table made of beech wood, attachable</b>	<input type="checkbox"/> size 2	ST	247.69 €	<input type="text"/>
42513	square-shaped with upturned front and side bars and two-segment cut-out	<input type="checkbox"/> size 3		259.28 €	
42514		<input type="checkbox"/> size 4		259.28 €	
42541		<input type="checkbox"/> size 1			
42542	<b>Therapy tray table made of Neopolen</b>	<input type="checkbox"/> size 2	ST	338.33 €	<input type="text"/>
42543	semicircular version, with Velcro attachment, with additional fastening strap,	<input type="checkbox"/> size 3			
42544	with synthetic leather cover	<input type="checkbox"/> size 4			
42515	<b>Swing-away unit for therapy tray table</b>		ST	134.91 €	<input type="text"/>
42517	<b>Attachment mechanism for therapy tray table for attachment with two brackets</b>		SA	164.42 €	<input type="text"/>
42610-eco	<b>Tabletop cushion incl. cover in synthetic leather black</b>		SA	172.85 €	<input type="text"/>

By fax to: +49 (0) 2243/8807-29

By email to: info@interco.gmbh

Art. no.	Article name   Article description   Options	UNIT	Price *	Quantity
----------	--	------	---------	----------



## Pelvis

44010-eco	Abduction pommel with cover in DOTS black, adjustable and attachable (only in combination with continuous footrest system) in standard measures	SA	207.64 €	<input type="text"/>	
44175-1	2-point hip belt, size 1 with neoprene cushion and small plastic press buckle with one pull	ST	169.69 €	<input type="text"/>	
44175-2	2-point hip belt with neoprene cushion and large plastic press buckle	ST	169.69 €	<input type="text"/>	
44175-3	with one pull				
44176-1	4-point hip belt, size 1 with neoprene cushion and small plastic press buckle with one pull	ST	180.23 €	<input type="text"/>	
44176-2	4-point hip belt with neoprene cushion and large plastic press buckle	ST	180.23 €	<input type="text"/>	
44176-3	with one pull				
44177	2-point hip belt with Neoprene cushion with two pulls	ST	173.91 €	<input type="text"/>	
	<input type="checkbox"/> size 1				
	<input type="checkbox"/> size 2				
44178	4-point hip belt with Neoprene cushion with two pulls	ST	184.45 €	<input type="text"/>	
	<input type="checkbox"/> size 1				
	<input type="checkbox"/> size 2				
44046	PELVI-LOCK 3DS Pelvic retraction belt with buckle and toothed belt for seat shells with flexible strap attachment	ST	287.74 €	<input type="text"/>	
44047					<input type="checkbox"/> size 3
44048					<input type="checkbox"/> size XS (SB=16-24 cm)
44049					<input type="checkbox"/> size S (SB=20-32 cm)
	<input type="checkbox"/> size M (SB=30-40 cm)				
	<input type="checkbox"/> size L (SB=36-46 cm)				



## Lower extremities

39035-D_K	Special lock-type for legrest system (for continuous footrest system)	SA	505.92 €	<input type="text"/>
39035-G_K	Special lock-type for legrest system (for separated footrest system)	SA	737.80 €	<input type="text"/>
46030-eco	Calf support, complete version (in standard dimensions 10 cm height) incl. cover in synthetic leather black	ST	218.18 €	<input type="text"/>
46120-eco	Calf support, single version (in standard dimensions 10 cm height) incl. cover in synthetic leather black	PA	258.23 €	<input type="text"/>
46551	Heel stop for leg rest system, complete version (in standard dimensions 10 cm height)	ST	69.56 €	<input type="text"/>
46552	Heel stop for leg rest with individual foot supports (in standard dimensions 10 cm height)	PA	139.12 €	<input type="text"/>
46510	Heal stop cushion incl. cover in synthetic leather black (in 1 cm thickness)	ST	91.73 €	<input type="text"/>
46520	Foot rest cushion incl. cover in synthetic leather black (in 2 cm thickness)	ST	122.26 €	<input type="text"/>

By fax to: +49 (0) 2243/8807-29

By email to: info@interco.gmbh

